



PERSONAL INFORMATION:

Name:	Gender:	Age:
Phone Number:	E-mail address:	
Address:		

QUESTIONNAIRE

Number of years riding	Hours per week, average
------------------------	-------------------------

How do you intend to use your new bike?

Please fill in %

Freeride	
All Mountain/trail	
XC	
XC Competition	
Marathon/expedition	
Commuting	
Total	100%

How would you describe yourself as a rider and how do you intend to use your new bike?

Typical Ride										
Intended Ride										

Rough/Careless
Average
Smooth/Careful

Typical Ride									
Intended Ride									

“Down Hiller”
Average
Climber



Current bike:	Model:	Size:	Year:
Current Fork:	Current Components:		

Please fill in the following regarding your current bike and your new bike:

Handling (steering, responsiveness, cornering, and descending)

Current bike										
New bike										

Laid back **Ideal** **Lively**

Drivetrain Rigidity (acceleration and climbing)

Current bike										
New bike										

soft **Ideal** **Stiff**

Vertical Compliance (ride comfort)

Current bike										
New bike										

Soft **Ideal** **Hard**

Handlebar reach from saddle (when riding in saddle)

Current bike										
New bike										

Short **Ideal** **Long**

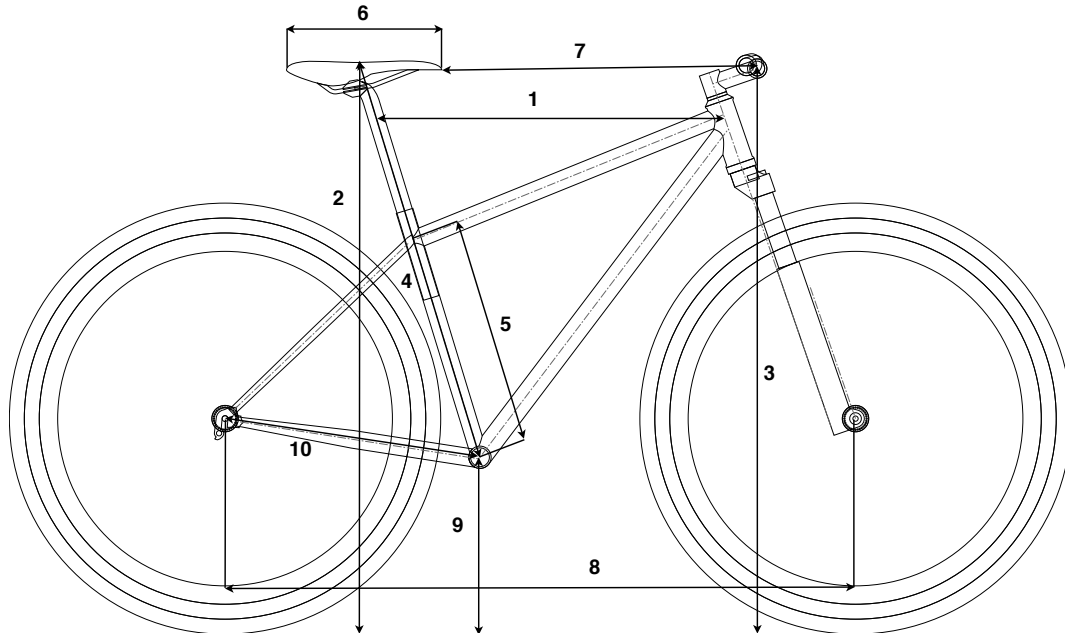
Handlebar height (relative to saddle height)

Current bike										
New bike										

High **Ideal** **Low**

MEASUREMENTS FROM CURRENT BIKE

You will need a tape measure and a spirit level. Check the results twice to make sure that you get a consistent result. Please use metric values (mm).



1	Top Tube Length: Measure from the intersection of the top tube and head tube horizontal to ground, back to the seat tube centerline.	
2	Ground to Saddle Top Mid-Point: Measure from the ground to the top of the saddle.	
3	Grip Height: Measure from the ground to the topside of the brake hoods or grips	
4	Saddle Height: Measure from the center of the bottom bracket to the top of the saddle, along the length of the seat tube.	
5	Seat Tube Length: Measure from the center of the bottom bracket to the intersection of the top tube and the seat tube.	
6	Saddle Length: Measure from the saddle nose to the saddle tail.	
7	Handlebar Reach: Measure from the saddle tip to the handlebar/stem intersection.	
8	Wheelbase: Measure horizontal from axle to axle	
9	Bottom Bracket Height: Measure vertical from ground to center of BB axle	
10	Chain stay length: Measure from center of BB to center of drop-out axle	
11	Stem Length: Measure along the length of the stem.	



OPTIONS FOR THE NEW BIKE

Please select optional frame, design and components details (prices are ex local VAT):

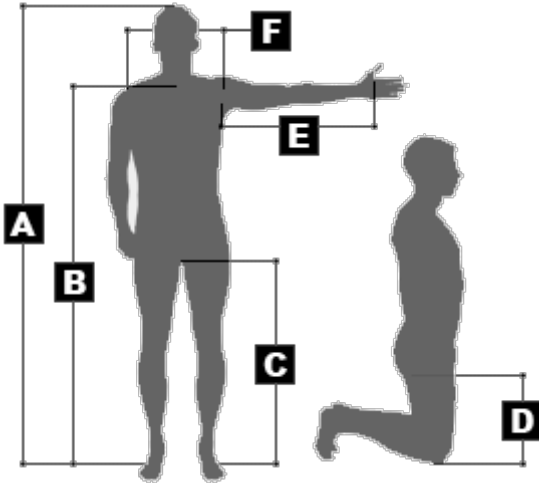
Frame Material:	Cromoly, True Temper Platinum, Reynolds 853, Columbus Zona/Life, Dedacciai //2000\$				
Wheel Size:	26"	27.5"	29"	29+	Fatbike
Max tire size:					
Head Tube:	Standard (1 1/8" fork steerer)		Inset 44mm (Tapered steerer)		
Bottom Bracket Widths:	68mm	73mm	83mm	100mm	
Options:	Pressfit 30 //30\$		Eccentric Bottom Bracket //100\$		
Rear Axle Spacing:	135mm	142/12 //50\$ incl axle		150mm	170mm
Dropouts:	Wright/Hooded/Breezer			Paragon Polydrops //100\$	
Derailleur Hanger:	Regular	Shimano Direct Mount		None	
Single Speed Options:	Horizontal/Track		Paragon Rockers //100\$		
Brake Options:	ISO Disc Tabs		Post Mount Disc Tabs //20\$		V-brakes
Bottle Mounts:	None		1	2	
Disc Cable Routing:	Top of Top Tube		Under Top Tube	Down Tube	
Gear Cable Routing:	Top of Top Tube		Under Top Tube	Down Tube	
Gear Cable Housing:	Partly Open		Full Cable Housing		
Other Frame Options:	Tube splitter for belt drive //200			ISCG05 mounts //30\$	
	\$ Rack and fender mounts //50\$			S&S Couplings //700\$	
Color and Finish:	RAL Color Code:		For custom color ask for quote		
Head Badge:	Copper		Aluminium (silver)		

Choice of Components

Fork:	Steerer:		Travel/length:		
Stem:	Length:		Angle:		
Headset:	1 1/8" (standard)		Inset 44mm (tapered steerer)		
Handlebar:	Width:		Rise:		
Seat Post:	27.2mm	31.6mm	Straight	Layback	Dropper seatpost
Crank:	Crank Arm Length:				
Chainring and gear configuration:	Gear Configuration:		1x10	2x10	3x10
Belt drive:	Front and Rear Cog:		Belt:		

BODY MEASUREMENTS

You will need a book and a tape measure. Although you can do the measurements yourself, it is advised to have someone else taking the measurements off you. Also, check the results twice to make sure that you get a consistent result. Please use metric values (mm).



A	Height: In stocking or bare feet, stand with heels and rump against the wall; feet should be 18 cm apart.	
B	Total Body Length: Assume the same stance used for Height. Measure from the ground to the lowest point of your sternal notch.	
C	Inseam: Remaining in the Height stance, hold a book with a 3.5cm binding so the binding is pressed hard against your crotch - like a saddle - and the bottom of the book is against the wall. Measure from the ground to the top edge of the binding.	
D	Upper Leg: Use the same method as measuring the inseam, standing on your knees. Make sure that your thigh is vertical while measuring	
E	Arm: Hold your arm outstretched to your side, horizontal to the ground. Grip a pencil in your fist, perpendicular to your arm. Measure from the pencil to your rib cage, just under your arm.	
F	Shoulder Width: Measure the distance between the two bones (Acromion) protruding from the top of the shoulders.	
G	Shoe size (Euro size):	
H	Weight (kg):	